

STYLE IN MOTION COLLECTION

SARASOTA (MOTION)



AMERICAN
LEATHER®

SARASOTA

Standard Features:

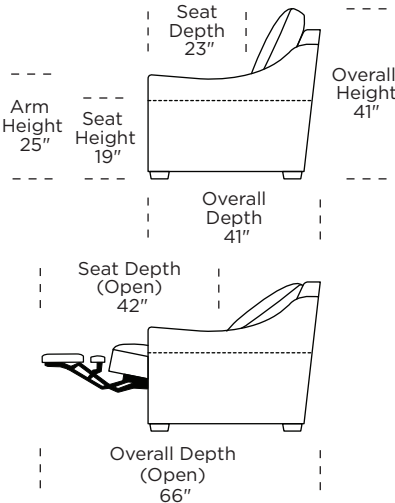
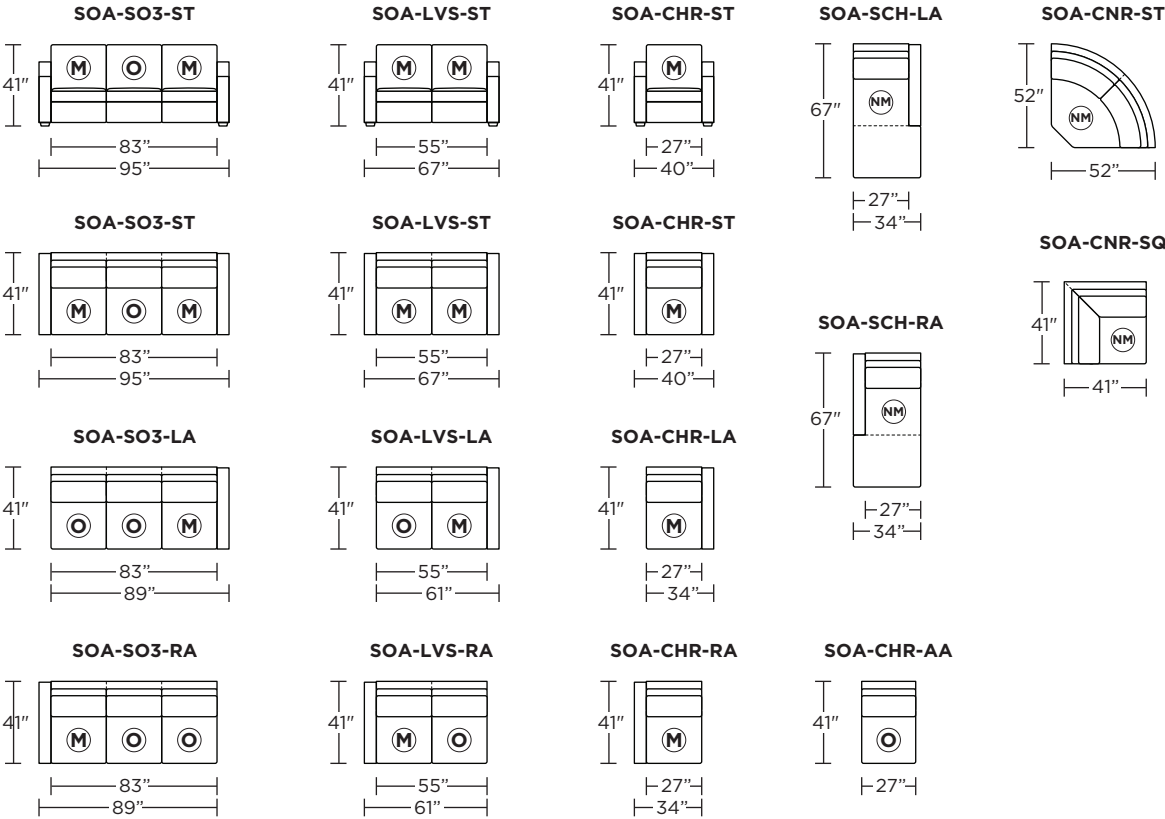
- Advanced unidirectional suspension system
- Premium high-density, high-resiliency foam seat cushions
- Single-needle top-stitch
- In-arm control panel includes 2-amp USB charging port
- Stationary armless seats
- Limited lifetime warranty on frame and suspension
- Three-year warranty on mechanism
- Three-year warranty on motor
- Quick-ship delivery

Options:

- Premium high-density, high-resiliency foam seat cushions encased in down
- Back cushion options: **Hills** (channels), **Ridge** (saddle), **Valley** (tufted), **Tuck** (one seam), or **Plain**
- Contrasting stitch detail available in Black, Brown, Charcoal, Cream, Espresso, Grey, Lemon, Pink, Royal, Scarlet, Tangerine, or Teal thread color
- Option of motion in armless seats
- Lithium-ion battery pack available
- Battery pack has one-year warranty
- Wood legs available in Dune, Ebony, Mink, or Oiled Ash finish

Please use actual leather, fabric, Crypton®, Sunbrella® and Ultrasuede® swatches when specifying furniture as the colors shown may vary due to the printing process.

Note: Microfiber fabrics such as SUEDELIFE and VEELIFE not suggested for this style. Please contact American Leather® Support Services for a complete list of recommended fabrics.



MOTION LEGEND:

- M** = Motion only
- O** = Optional motion or stationary
- NM** = No motion available

BACK CUSHION OPTIONS:

Hills
(Channels)

Ridge
(Saddle)

Valley
(Tufted)

Tuck
(One Seam)

Plain

Note: Dotted line indicates seam on leather, Ultrasuede® and up the roll fabrics. Seams are eliminated with railroaded fabrics.

Scale: 1/8 inch = 1 foot
All dimensions are approximate and subject to change.
Specify components from the sitting position.

V01.10.24

STYLE IN MOTION COLLECTION

SARASOTA (SLEEPER)



**AMERICAN
LEATHER**

SARASOTA

Standard Features:

- Featuring the patented Tiffany 24/7™ platform sleep system
- Room to stretch out with true 80 inches of bedroom-length sleeping surface
- Ultimate comfort on five inches of plush, high-density foam mattress
- Under-sofa dust covers keeps dust and dirt from ever touching the mattress
- Zero wall clearance
- Single-needle top-stitch
- Premium high-density, high-resiliency foam seat cushions
- Loose back and seat cushions
- Limited lifetime warranty on frame
- Ten-year warranty on mechanism
- Quick-ship delivery

Mattress Options:

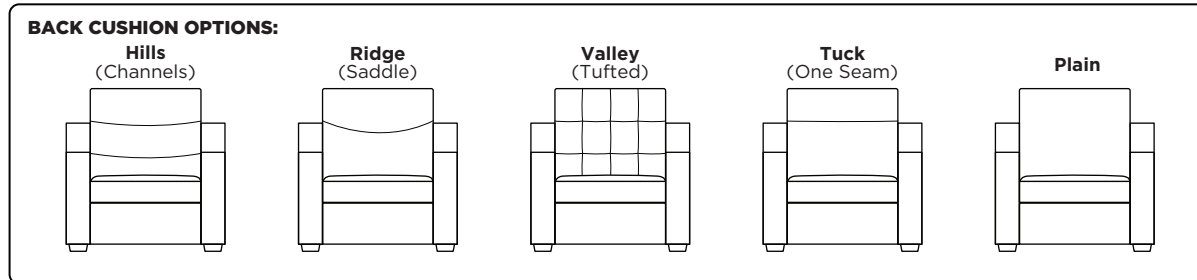
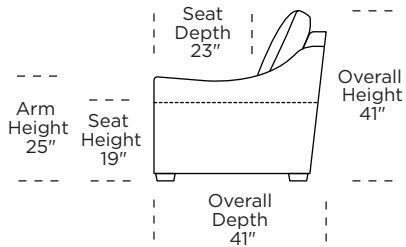
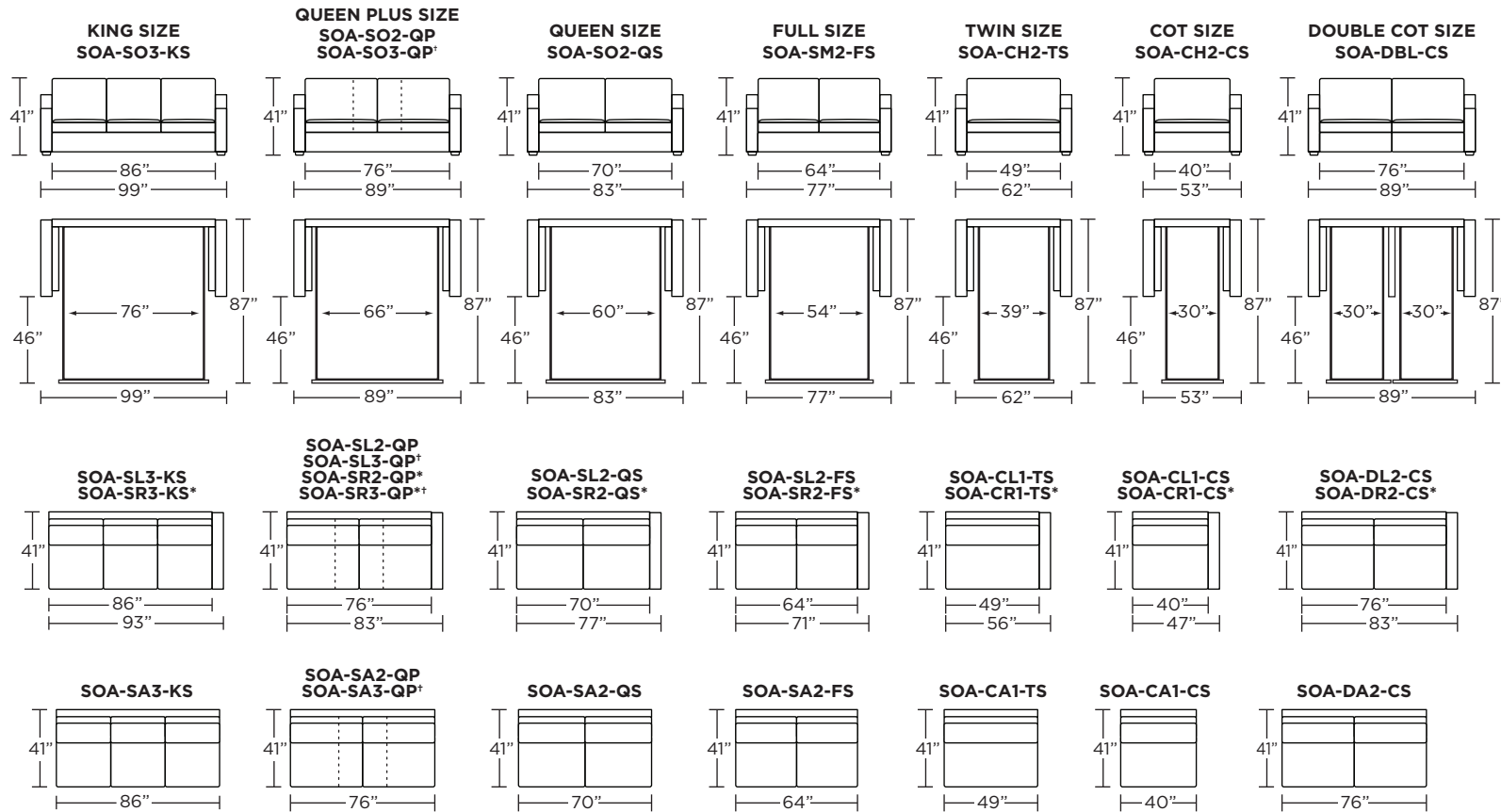
- Premier with Crypton® ticking
- Gel
- Tempur-Pedic®

Options:

- High-density, high-resiliency foam seat cushions encased in down
- Back cushion options: **Hills** (channels), **Ridge** (saddle), **Valley** (tufted), **Tuck** (one seam), or **Plain**
- Contrasting stitch detail available in Black, Brown, Charcoal, Cream, Espresso, Grey, Lemon, Pink, Royal, Scarlet, Tangerine, or Teal thread color
- Wood legs available in Acorn, Espresso or Walnut finish

Please use actual leather, fabric, Crypton®, Sunbrella® and Ultrasuede® swatches when specifying furniture as the colors shown may vary due to the printing process.

Note: Microfiber fabrics such as SUEDELIFE and VEELIFE not suggested for this style. Please contact American Leather® Support Services for a complete list of recommended fabrics.



* Picture shows left arm seated. Please specify left or right arm seated when ordering.
 All orders are in seated position.
 † Dotted lines for Queen Plus sizes indicates the number of seats.

Scale: 1/8 inch = 1 foot
 All dimensions are approximate and subject to change.

V07.20.23