

COMFORT SLEEPER® BY AMERICAN LEATHER®

LANGDON



AMERICAN LEATHER®

LANGDON

Standard Comfort Sleeper®

Features:

Featuring the patented Tiffany 24/7™ platform sleep system
 Room to stretch out with true 80 inches of bedroom-length sleeping surface
 Ultimate comfort on five inches of plush, high-density foam mattress
 Under-sofa dust covers keeps dust and dirt from ever touching the mattress
 Zero wall clearance
 Loose back and seat cushions
 Limited lifetime warranty on frame
 10-year mechanism warranty
 Quick-ship delivery

Mattress Options:

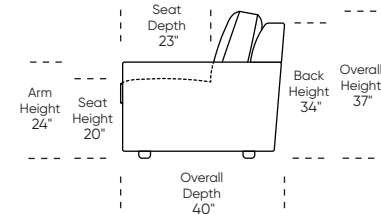
HiPerform with Crypton® ticking
 Cooling Gel
 Tempur-Pedic®

Options:

High-density, high-resiliency foam seat cushions encased in down and down back cushions available
 High-density, high-resiliency foam seat cushions encased in Trillium and Trillium back cushions available
 Bench seat cushion
 Tufted back and seat cushion decorative detail
 Ottomans available with casters
 Contrasting cover available (two tone):
 Color 1 - Body (dictates cost)
 Color 2 - Back/seat cushions

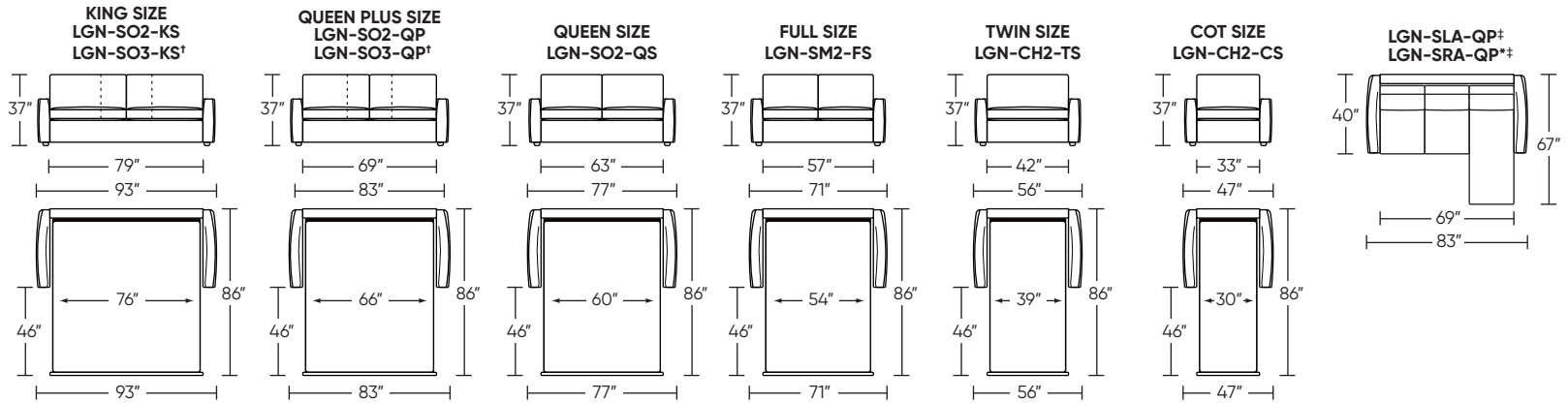
Leg height is 2" (Hidden Leg)

Please use actual leather, fabric, Crypton®, Sunbrella® and Ultrasuede® swatches when specifying furniture as the colors shown may vary due to the printing process.

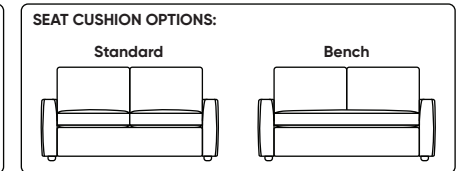
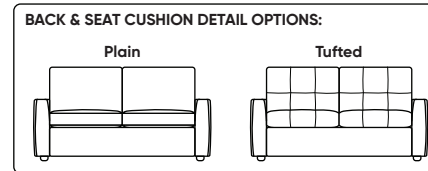
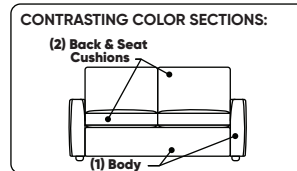
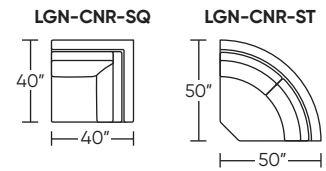
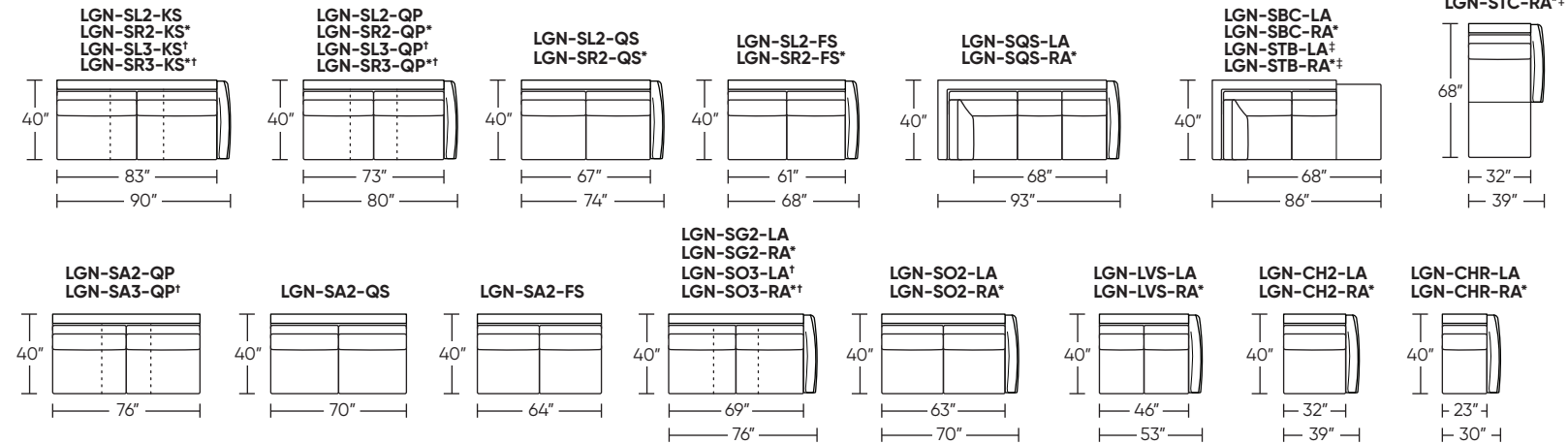


Note: Seat depth includes cushion overhang which may be up to 1"

SLEEPER OPTIONS:



SECTIONAL OPTIONS:



* Picture shows left arm seated. Please specify left or right arm seated when ordering.
 All orders are in seated position.
 † Dotted lines for Queen Plus and King sizes indicates the number of seats.
 All dimensions are approximate and subject to change.
 ‡ Chaise lifts up to reveal hidden storage space. • Storage

NOTE: Please be advised that microfiber fabrics like SUEDELIFE and VEELIFE, and velvet fabrics such as JENSON, REED, and SURI, are not recommended for this style. For a comprehensive list of covers that are NOT suggested, please contact American Leather Support Services. This information can also be found on the fabric landing pages of our website or by scanning the swatch QR code.

Tiffany 24/7™ Convertible mechanism, U.S. Patents #6904628, #8893323, #9468303, #9668585. Additional patents pending.

Standard Comfort Sleeper®

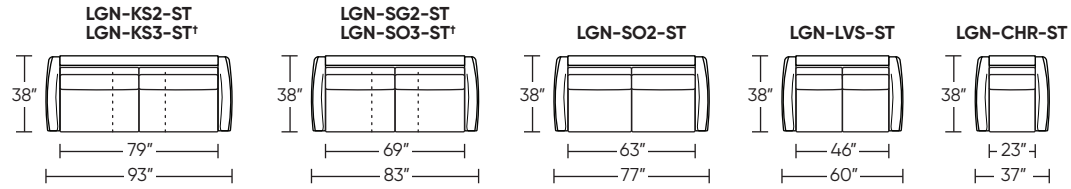
Stationary Features:

- High-density, high-resiliency foam seat cushions
- Loose back and seat cushions
- Single-needle top-stitch
- Zero wall clearance
- Limited lifetime warranty on frame
- 10-year mechanism warranty
- Quick-ship delivery

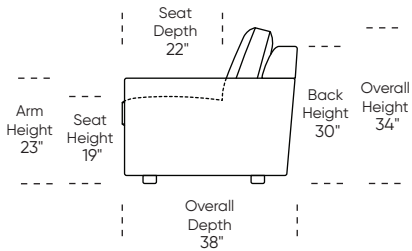
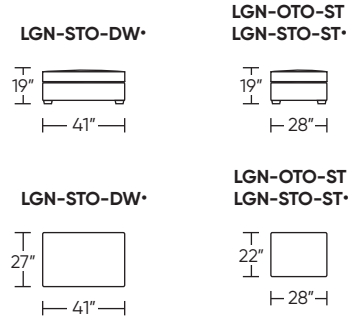
Options:

- High-density, high-resiliency foam seat cushions encased in down and down back cushions available
- High-density, high-resiliency foam seat cushions encased in Trillium and Trillium back cushions available
- Bench seat cushion
- Tufted back and seat cushion decorative detail
- Ottomans available with casters
- Contrasting cover available (two tone):
 - Color 1 - Body (dictates cost)
 - Color 2 - Back/seat cushions

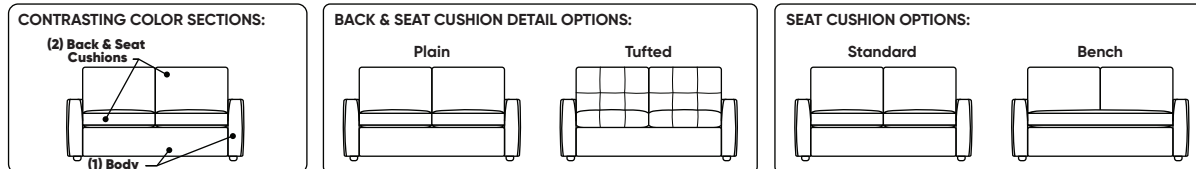
STATIONARY OPTIONS:



OTTOMAN OPTIONS:



Note: Seat depth includes cushion overhang which may be up to 1"



† Dotted lines indicates the number of seats.

All dimensions are approximate and subject to change.

• Storage

Tiffany 24/7" Convertible mechanism, U.S. Patents #6904628, #8893323, #9468303, #9668585. Additional patents pending.