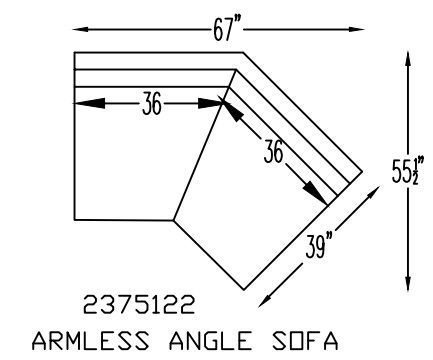
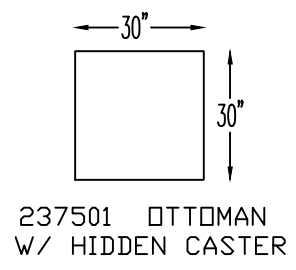
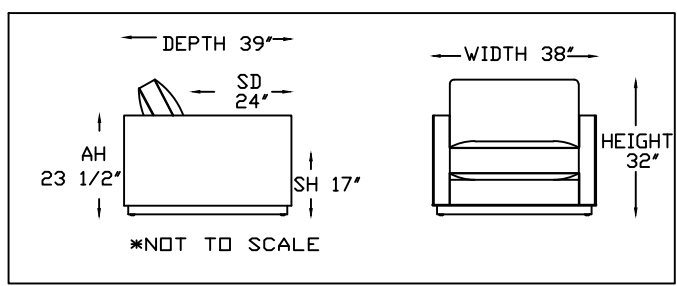


*NOTE: L or R is determined by facing the piece.



Scale: 1/4" = 1'-0"

