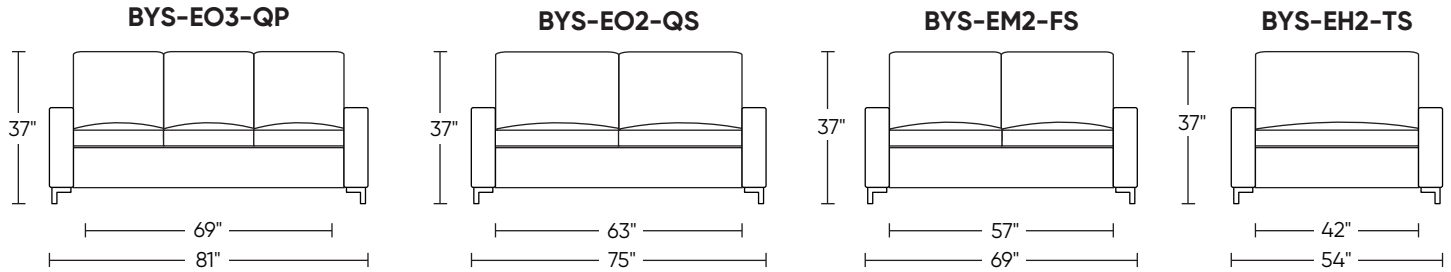


COMFORT SLEEPER BY AMERICAN LEATHER® SILVER

BRYSON

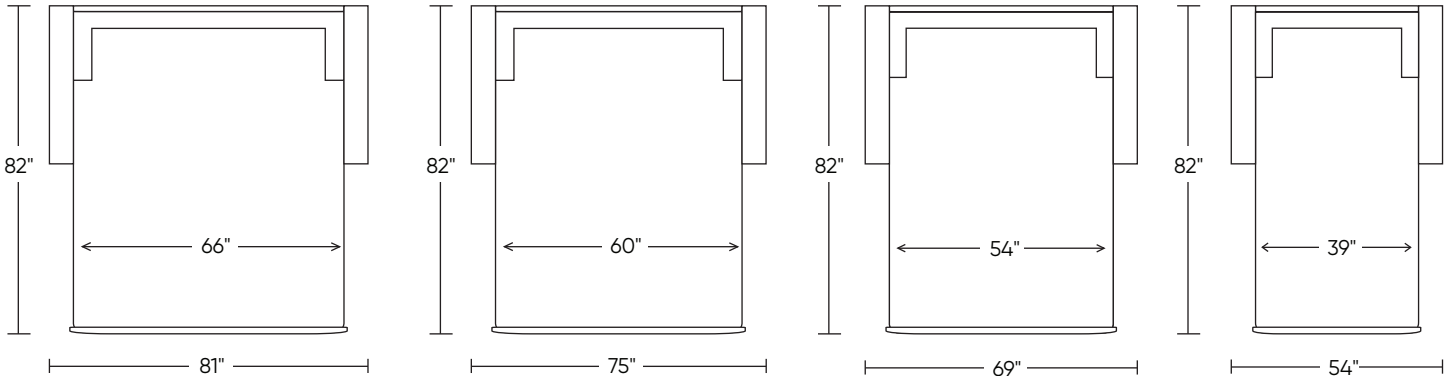
Standard Features:

- Premium high-density, high-resiliency foam
- Loose back and seat cushions
- Fall away back becomes mattress section
- Zero wall clearance
- Double-needle top-stitch
- Limited lifetime warranty on frame
- Ten-year warranty on mechanism
- Quick-ship delivery
- Brushed stainless steel legs



Options:

- Wood legs available in Dune, Ebony, Mink, or Oiled Ash finish
- Contrasting cover available (two tone):
Color 1 - Body
Color 2 - Back and Seat Cushion

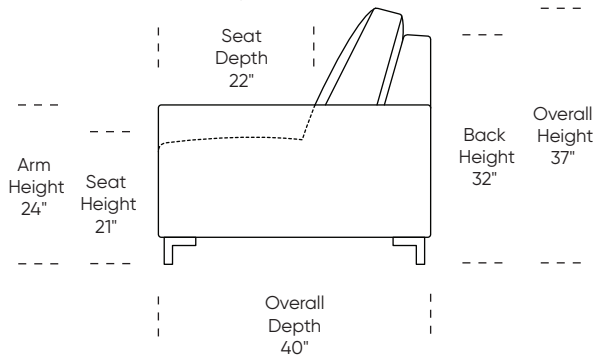


Mattress Options:

- Four inches of high-density foam
- Four inches of plush, high-density foam with a cooling gel topper

Leg Height is 4"

Please use actual leather, fabric, Crypton®, Sunbrella® and Ultrasuede® swatches when specifying furniture as the colors shown may vary due to the printing process.



NOTE: Please be advised that microfiber fabrics like SUEDELIFE and VEELIFE, and velvet fabrics such as JENSON, REED, and SURI, are not recommended for this style. For a comprehensive list of covers that are NOT suggested, please contact American Leather Support Services. This information can also be found on the fabric landing pages of our website or by scanning the swatch QR code.

Scale: 1/4 inch = 1 foot
All dimensions are approximate and subject to change.
Specify components from the sitting position.
U.S. patents #6904628 & 8011034

V10.10.25